

CM20T

6.5" two-way loudspeaker, white



The CM20T two-way built-in loudspeaker can be used as a 16 ohms or 100 volt loudspeaker. In 16 ohms use, you can connect up to 4 loudspeakers in parallel on each channel of a standard 4 ohms amplifier. For 100 volt use, the CM20T is equipped with a high-quality 20 watts 100 volt transformer with several power tapings (20 – 10 – 5 – 2.5 watts). Therefore it can be used in projects with high ceilings or places with background noise where a little more power is needed.

The loudspeaker has a 6.5" enforced polypropylene woofer what results in a very low distortion. To complete the sound, a 1" tweeter has been integrated. It makes the CM20T very suitable for the distribution of microphone calls and background music.

The housing is made of high quality ABS. The woofer is made out of enforced polypropylene, what makes it moisture-proof. The aluminium grille makes CM20T humidity proof and ideal to be used in bathrooms, kitchens.

.. The loudspeaker is easy to install, due to its simple, quick mounting system with only 3 screws. These screws are hidden behind the loudspeaker grill, what gives the loudspeaker a modern and striking design.

This loudspeaker is now updated with a new Quick Fix connector and transformer tapping sticker for an even faster and easier installation.

Versatile for almost every market around the globe due to the addition of the 70 / 100 volt connection, the CM series is bound to stay the standard installer's choice in the fixed install market.

The complete redesign of the CM Series is done according to the corporate Apart identity. Apart blue speaker clamps and product sticker, an Apart marked transformer and loudspeaker basket.

The CM20T loudspeakers can be painted in any colour.

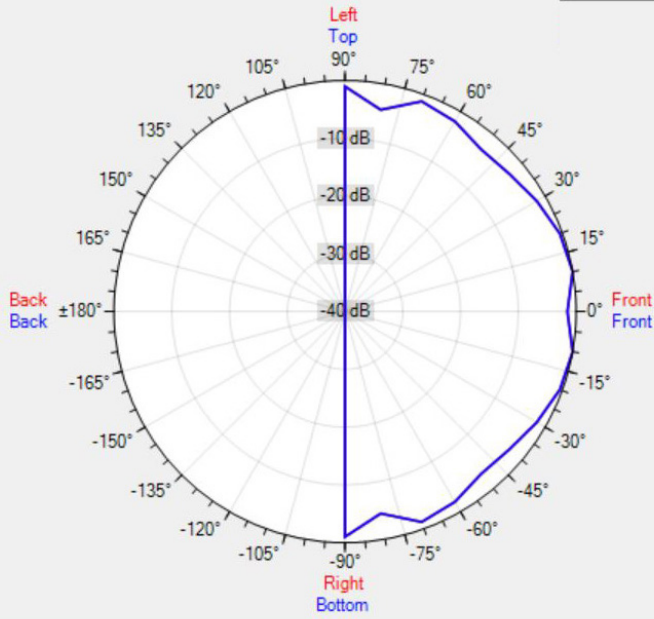
TECHNICAL SPECIFICATIONS

outside diameter in mm	205	depth in mm	80
cutout in mm	186	installation grip range in mm	2 - 25
loudspeaker system	2-way	woofer size in inch	6.5
woofer cone material	polypropylene	tweeter size in inch	1
mounting system	3 screws	colour	white / black
100V transformer power taps in watts	20 - 10 - 5	70V transformer power taps in watts	20 - 10 - 5 - 2.5
impedance in ohms	16	low impedance dynamic power in watts	60
low impedance RMS power in watts	30	SPL 1W/1m in dB	86
max SPL 1m in dB	104	frequency response in Hz	60 - 20K
main construction material	ABS plastic	grille main material	aluminium
IP rating	54	applicable low impedance	yes
applicable in 100V	yes	Vertical dispersion angle 1000 Hz	180°
closest RAL colour (subject to deviations)	RAL9010 (W) / RAL9011 (BL)	Net weight product in kg	1.40

POLAR PLOTS

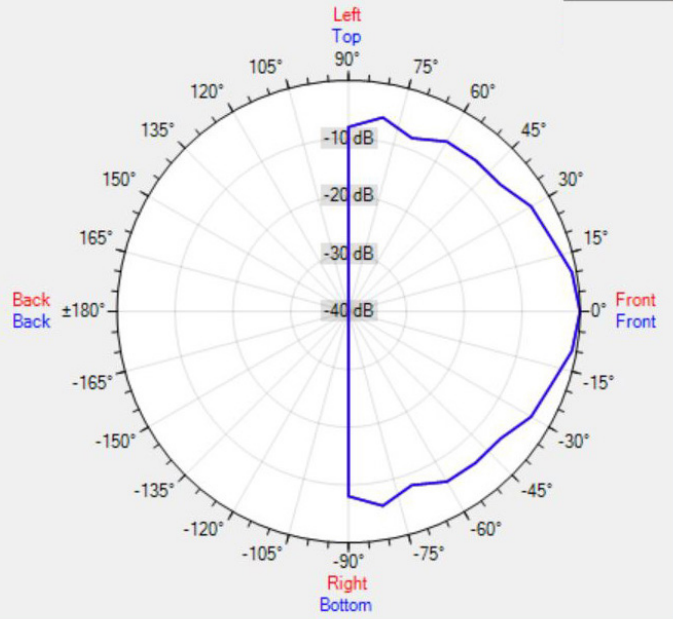
Data Shown: CM20T (Apart Audio)
Display Parameters: Frequency: 1000Hz (1/24th Octave)

Horizontal
Vertical



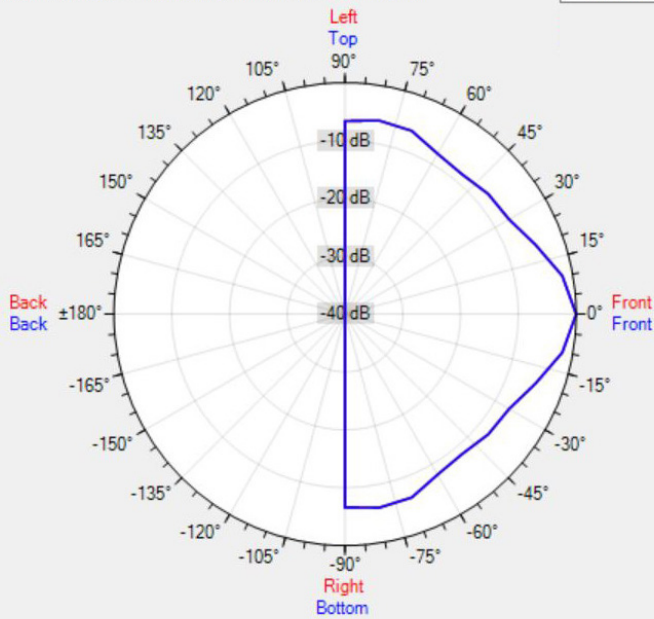
Data Shown: CM20T (Apart Audio)
Display Parameters: Frequency: 2000Hz (1/24th Octave)

Horizontal
Vertical



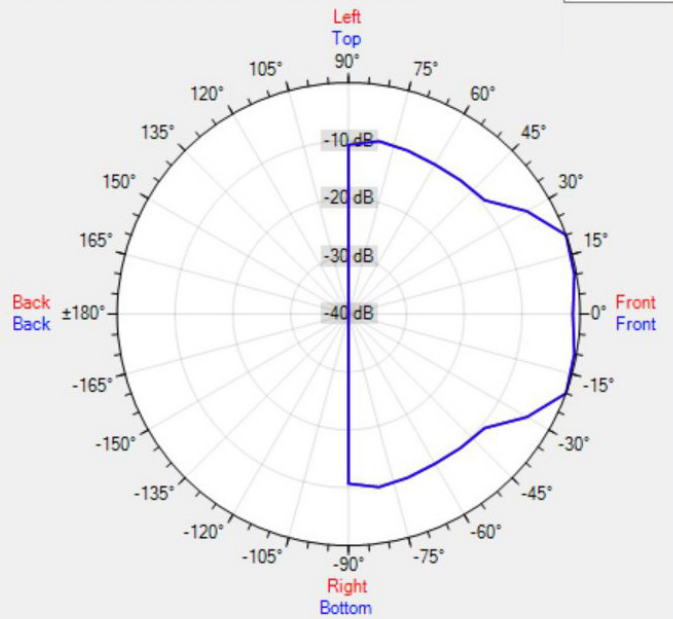
Data Shown: CM20T (Apart Audio)
Display Parameters: Frequency: 4000Hz (1/24th Octave)

Horizontal
Vertical

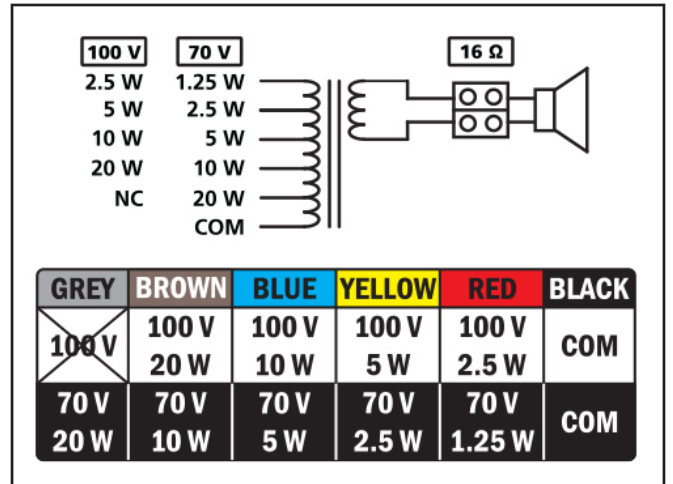


Data Shown: CM20T (Apart Audio)
Display Parameters: Frequency: 8000Hz (1/24th Octave)

Horizontal
Vertical



MORE PICTURES



ACCESSORIES



CMBB

On-wall box for CM- and CM-Design loudspeaker range